

UT40-50PS

4000 - 5000kg

Technical Specifications



Utility you can trust™

UT40-50PS Specifications

Characteristics	1.1	Manufacturer		UTILEV	UTILEV	UTILEV	UTILEV	UTILEV	UTILEV
	1.2	Model designation		UT40P	UT40P	UT45P	UT45P	UT50PS	UT50PS
	1.3	Power: battery, diesel, LPG, electric mains		Diesel	Dual Fuel	Diesel	Dual Fuel	Diesel	Dual Fuel
	1.4	Operation: manual, pedestrian, stand, seat, orderpicker		Seat	Seat	Seat	Seat	Seat	Seat
	1.5	Load capacity	Q (kg)	4000	4000	4500	4500	5000	5000
	1.6	Load centre	c (mm)	500	500	500	500	500	500
	1.8	Load distance	x (mm)	550	550	550	550	555	555
	1.9	Wheelbase	y (mm)	2000	2000	2000	2000	2100	2100
	Weight	2.1	Unladen weight	kg	6300	6300	6500	6500	6850
2.2		Axle loading with load front/rear	kg	9000/1300	9000/1300	9625/1375	9625/1375	10450/1400	10450/1400
2.3		Axle loading without load, front/rear	kg	2800/3500	2800/3500	2820/3680	2820/3680	3000/3850	3000/3850
Wheels and Tyres	3.1	Tyres: L = pneumatic, V = cushion, SE = superelastic		L	L	L	L	L	L
	3.2	Tyre size, front		8.25-15-14PR	8.25-15-14PR	300-15-18PR	300-15-18PR	300-15-18PR	300-15-18PR
	3.3	Tyre size, rear		7.00-12-12PR	7.00-12-12PR	7.00-12-12PR	7.00-12-12PR	7.00-12-12PR	7.00-12-12PR
	3.5	Number of wheels, front/rear (X = driven)		2X/2	2X/2	2X/2	2X/2	2X/2	2X/2
	3.6	Track width, front	b10 (mm)	1160	1160	1190	1190	1190	1190
	3.7	Track width, rear	b11 (mm)	1130	1130	1130	1130	1130	1130
	Dimensions	4.1	Mast tilt, forward α /back β	degrees	6/12	6/12	6/12	6/12	6/12
4.2		Height of mast, lowered	h1 (mm)	2245	2245	2245	2245	2245	2245
4.3		Free lift \blacktriangle	h2 (mm)	160	160	160	160	160	160
4.4		Lift height \blacktriangle	h3 (mm)	3000	3000	3000	3000	3000	3000
4.5		Height of mast, extended \blackplus	h4 (mm)	3830	3830	3830	3830	3830	3830
4.7		Height to top of overhead guard \circ	h6 (mm)	2250	2250	2250	2250	2250	2250
4.8		Seat height \blacktimes	h7 (mm)	1250	1250	1250	1250	1250	1250
4.12		Towing coupling height	h10 (mm)	380	380	380	380	380	380
4.19		Overall length	l1 (mm)	4140	4140	4180	4180	4285	4285
4.20		Length to face of forks	l2 (mm)	3070	3070	3110	3110	3215	3215
4.21		Overall width, Std/Dual	b1/b2 (mm)	1395/1925	1395/1925	1490/1925	1490/1925	1490/1925	1490/1925
4.22		Fork dimensions	s/e/l (mm)	50/122/1070	50/122/1070	50/150/1070	50/150/1070	50/150/1070	50/150/1070
4.23		Fork carriage to DIN 15173. Class, A/B		3A	3A	3A	3A	4A	4A
4.24		Fork carriage width \blacktriangleright	b3 (mm)	1250	1250	1250	1250	1250	1250
4.31		Ground clearance under mast, with load	m1 (mm)	170	170	170	170	170	170
4.32		Ground clearance at centre of wheelbase	m2 (mm)	230	230	230	230	230	230
4.33		Aisle width with pallets 1000mm long x 1200mm wide	Ast (mm)	4440	4440	4470	4470	4565	4565
4.34		Aisle width with pallets 800mm wide x 1200mm long	Ast (mm)	4640	4640	4670	4670	4765	4765
4.35		Outer turning radius	Wa (mm)	2690	2690	2720	2720	2810	2810
4.36		Inner turning radius	b13 (mm)	135	135	90	90	120	120
Performance	5.1	Travel speed with/without load	km/h	23/24	25/26	23/24	25/26	23/24	25/26
	5.2	Lifting speed with/without load	m/sec	0.43/0.48	0.46/0.50	0.43/0.48	0.46/0.50	0.38/0.42	0.40/0.44
	5.3	Lowering speed with/without load	m/sec	0.55/0.50	0.50/0.45	0.55/0.50	0.50/0.45	0.55/0.50	0.50/0.45
	5.5	Maximum drawbar pull with/without load	N	35000/19600	39300/19600	35000/19740	39300/19740	35000/21000	39300/21000
		Drawbar pull with/without load, @ 1.6km/h	N	28000/19600	31340/19600	28500/19740	31340/19740	28000/21000	31340/21000
		Drawbar pull with/without load, @ 4.8km/h	N	19200/19600	21470/19600	19200/19740	21470/19740	19200/21000	21470/21000
	5.7	Gradeability with/without load, @ 1.6km/h	%	25/29	28/29	23/27	26/27	21/25	24/25
		Gradeability with/without load @ 4.8km/h	%	16/27	18/29	15/26	17/27	13/25	15/25
	5.9	Acceleration time with/without load	sec	15/10	14/9	15/10	14/9	15/10	13/9
	5.10	Service brake		Hydraulic	Hydraulic	Hydraulic	Hydraulic	Hydraulic	Hydraulic
Engine	7.1	Engine manufacturer/type		Perkins 1044D-44	GM 4.3L	Perkins 1044D-44	GM 4.3L	Perkins 1044D-44	GM 4.3L
	7.2	Engine output, in accordance with ISO1585	kW	56	74	56	74	56	74
	7.3	Governed speed	rpm	2200	2300	2200	2300	2200	2300
	7.4	Number of cylinders/displacement	cm3	4/4410	6/4294	4/4410	6/4294	4/4410	6/4294
	7.5	Fuel consumption in accordance with VDI cycle	kg/h	7.5	9.0	7.5	9.0	7.5	9.0
Other	8.1	Drive control		Automatic	Automatic	Automatic	Automatic	Automatic	Automatic
	8.2	Working pressure for attachments	bar	175	175	175	175	175	175
	8.3	Oil flow for attachments \bullet	l/min	50	50	50	50	50	50
	8.4	Average noise level at operator's ear \blackstar	dB(A)	86	86	86	86	86	86
		Guaranteed sound power 2001/14/EC		106	106	106	106	106	106
	8.5	Towing coupling type		Pin	Pin	Pin	Pin	Pin	Pin
		Hydraulic Tank - capacity (drain & refill)	litres	80	80	80	80	80	80
		Fuel Tank - Capacity	litres	80	80	80	80	80	80
		Step Height (from ground to running board)	mm	510	510	510	510	510	510
	Step Height (between intermediate steps - running board & floor)	mm	350	350	350	350	350	350	

\blackstar LPAZ, measured according to the test cycles and based on the weighting values contained in EN12053

\blacktriangle Bottom of Forks
 \blacktimes Non-suspension seat specified
 \blackplus Without load backrest

\blacktriangleright Add 100mm with load backrest

\circ h6 subject to +/- 5 mm tolerance. When full-suspension seat or cab is fitted, overhead guard height is raised by 40mm
 \bullet Variable

Specification data is based on VDI 2198, with the following configuration:

Complete truck with 3000mm 2-stage limited free lift mast, standard carriage and 1070mm forks, overhead guard and standard pneumatic drive and steer tyres.

UT40-45PS Mast Table

Mast Type	Maximum Fork Height (mm)	Lowered Height (mm)	Overall Extended Height		Free Lift		Mast Tilt
			Without LBR (mm)	With LBR (mm)	Without LBR (mm)	With LBR (mm)	Forward/Back (deg)
2 Stage LFL	3000	2245	3830	4170	160	160	6/12
	3300	2395	4130	4470	160	160	6/12
	4500	3070	5330	5670	160	160	6/6
2 Stage FFL	3300	2376	4165	4470	1514	1205	6/12
	3600	2526	4465	4770	1664	1359	6/12
3 Stage FFL	4300	2180	5155	5470	1329	1012	6/6
	4500	2248	5365	5685	1395	1080	6/6
	5000	2410	5855	6170	1559	1242	6/6
	5500	2575	6355	6670	1724	1408	3/6

UT50PS Mast Table

Mast Type	Maximum Fork Height (mm)	Lowered Height (mm)	Overall Extended Height		Free Lift		Mast Tilt
			Without LBR (mm)	With LBR (mm)	Without LBR (mm)	With LBR (mm)	Forward/Back (deg)
2 Stage LFL	3000	2245	3830	4365	160	160	6/12
	3300	2395	4130	4665	160	160	6/12
	4500	3070	5330	5865	160	160	6/6
2 Stage FFL	3300	2376	4165	4665	1514	1010	6/12
	3600	2526	4465	4965	1664	1160	6/12
3 Stage FFL	4300	2180	5160	5665	1322	815	6/6
	4500	2248	5370	5880	1390	883	6/6
	5000	2410	5860	6370	1552	1045	6/6
	5500	2575	6360	6870	1718	1210	3/6

UT40-50PS Capacity Table

Capacity in kg @ 500mm Load Centre

Mast Type	Maximum Fork Height (mm)	Pneumatic Tyres						Superelastic Tyres					
		Single Tyres			Dual Tyres			Single Tyres			Dual Tyres		
		UT40P	UT45P	UT50P	UT40P	UT45P	UT50P	UT40P	UT45P	UT50P	UT40P	UT45P	UT50P
2 Stage LFL	3000	4000	4500	5000	4000	4500	5000	4000	4500	5000	4000	4500	5000
	3300	4000	4500	5000	4000	4500	5000	4000	4500	5000	4000	4500	5000
	4500	3400	3800	4250	3600	4050	4500	3450	3900	4300	3650	4100	4550
2 Stage FFL	3300	4000	4500	5000	4000	4500	5000	4000	4500	5000	4000	4500	5000
	3600	4000	4500	5000	4000	4500	5000	4000	4500	5000	4000	4500	5000
3 Stage FFL	4300	3400	3800	4250	3600	4050	4500	3450	3900	4300	3650	4100	4550
	4500	3200	3600	4000	3400	3850	4250	3300	3700	4100	3500	3900	4350
	5000	2800	3150	3500	3000	3400	3750	2950	3300	3650	3150	3500	3900
	5500	2250	2550	2850	2800	3100	3350	2350	2650	2950	2900	3150	3450

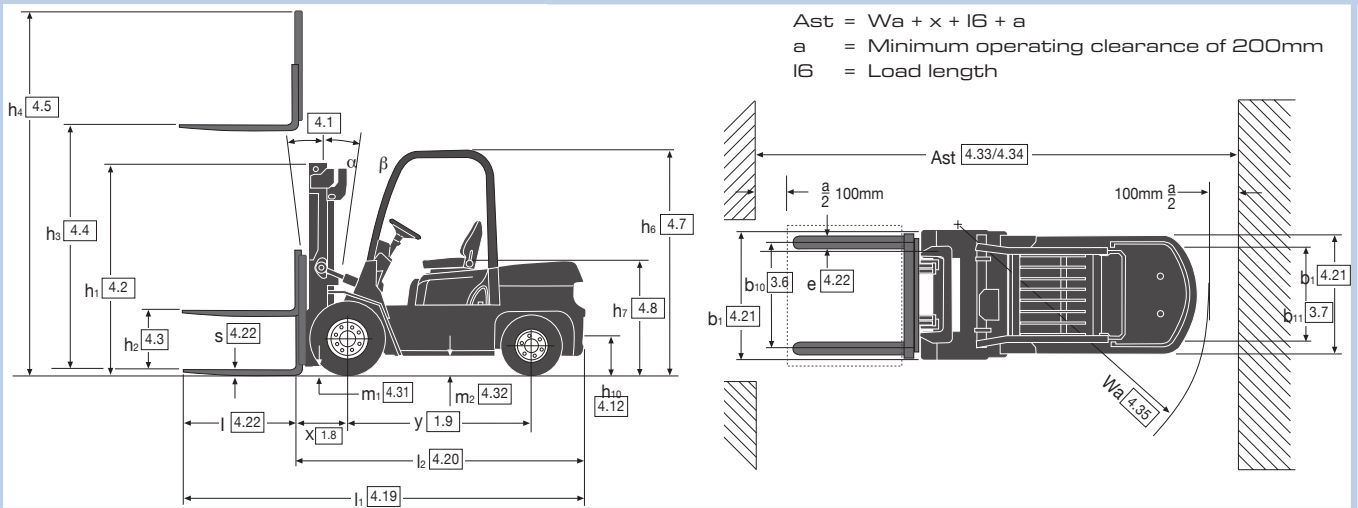
UT40-50PS Capacity Table

Capacity in kg @ 600mm Load Centre

Mast Type	Maximum Fork Height (mm)	Pneumatic Tyres						Superelastic Tyres					
		Single Tyres			Dual Tyres			Single Tyres			Dual Tyres		
		UT40P	UT45P	UT50P	UT40P	UT45P	UT50P	UT40P	UT45P	UT50P	UT40P	UT45P	UT50P
2 Stage LFL	3000	3650	4100	4550	3650	4100	4550	3650	4100	4550	3650	4100	4550
	3300	3650	4100	4550	3650	4100	4550	3650	4100	4550	3650	4100	4550
	4500	3100	3450	3880	3280	3700	4100	3150	3550	3900	3300	3720	4150
2 Stage FFL	3300	3650	4100	4550	3650	4100	4550	3650	4100	4550	3650	4100	4550
	3600	3650	4100	4550	3650	4100	4550	3650	4100	4550	3650	4100	4550
3 Stage FFL	4300	3100	3450	3880	3280	3700	4100	3150	3550	3900	3300	3720	4150
	4500	2900	3250	3650	3100	3500	3880	3000	3350	3720	3200	3550	3950
	5000	2550	2850	3200	2730	3100	3400	2700	3000	3300	2850	3200	3550
	5500	2050	2300	2600	2550	2800	3050	2130	2400	2700	2650	2850	3150

Deduct 100kg for capacities with factory fitted integrated attachments (sideshift or fork positioner)

Truck Dimensions



Overview

Utility you can trust™

The UTILEV® range of affordable forklift trucks delivers reliable and cost-effective materials handling solutions for applications across many industries, particularly where users require equipment without advanced functionality and attachments.

The product range has been designed to be easy to operate and maintain, and is backed up by a standard warranty and comprehensive parts availability.

Furthermore, a network of experienced distributors is on-hand to provide maintenance and support, whenever it is required.

Simple to Use

The ergonomically designed operator compartment, with a familiar automotive layout means that drivers will be able to work comfortably,

preventing tiredness during handling operations.

A range of standard features and options help to ensure that the truck is configured to the needs of the application.

Easy to Maintain

Thanks to the simplicity of the components and specification, servicing can be carried out quickly and easily, even when PCs, laptops or diagnostic tools are not available.

Affordable to Own

The use of proven, high quality, robust components, efficient filtration and excellent cooling result in reliable operation and lower wear and tear. This - together with the fast availability of cost-effective replacement parts - helps to reduce service and maintenance requirements and costs.

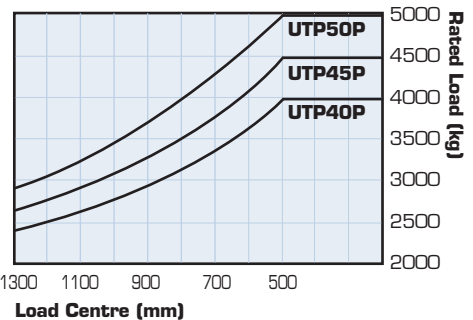
Rated Capacities

Load Centre

Distance from forks to centre of gravity of load.

Rated Load

Based on vertical masts as shown in VDI table.



Features

Standard Features Include:

- Engines: 4.4L Perkins Diesel, GM 4.3L Dual Fuel
- Transmission: Autoshift 2-Speed FWD, 1 REV
- Mast: 2-stage LFL 3000mm
- Carriage: 1250mm Class III (4.0-4.5t), or Class IV (5.0t)
- Forks: 1070 x 122 x 50mm Class III (4.0t), 1070 x 150 x 50mm Class III (4.5t), 1070 x 150 x 50mm Class IV (5.0t)
- Pneumatic Tyres - Drive: 8.25-15-14PR (4T), 300-15-18PR (4.5-5T)
- Pneumatic Tyres - Steer: 7.00-12-12PR
- Two Function Cowl Mounted Manual Lever - Lift / Tilt
- Forward / Reverse Directional Lever
- Manual Park Brake
- Drum Brakes
- Three Pedal Layout with Mechanical Inching
- Non-Suspension Seat (Vinyl) with Seat Belt
- Steering Wheel with Spinning Knob
- Power Steering and Tilt Adjustable Steering Column
- Key Switch Start
- Entry Grab Handle
- Rear View Mirrors
- Load Backrest
- Dash Display: Fuel Gauge (Diesel/Dual - Fuel), LCD Hour Meter, Water Temperature / Oil Temperature / Transmission Oil Level, Warning Lights
- Mast Tilt - 6° Forward / 12° Back
- Strobe Light (magnetically mounted)
- Audible Reverse Alarm
- Light Kit: 2 x Front Work, 2 x Front Turn, Rear Turn / Tail / Brake / Reverse
- Upswept Exhaust
- Standard Overhead Guard (2250mm)
- Radiator with Transmission Oil Cooler
- Cyclonic Air Filter
- Fixed Tank Bracket (Dual Fuel Trucks)
- Fuel Tank Capacity - 80L
- Engine Hood Lock
- Mast Tilt Gaitor
- Counterweight Net
- Toolbox
- Towing Pin
- Operator Manual
- 12 Months / 2000 Hours Manufacturer's Warranty

Options

- 2-stage LFL, 2-stage FFL & 3-stage FFL Masts up to 5.5m
- Mast Tilt: 6° Forward / 6° Back, 3° Forward / 6° Back
- Carriages: 1400 & 1500mm (Class III-IV)
- Forks: 1220 and 1520mm (Class III-IV)
- Integral Sideshift or Integral Sideshift with Fork Positioner
- Valve and Hose Groups - 3 and 4 Way
- Counterweight Exhaust
- Air Intake with Pre-cleaner
- Cab with/without Heater
- Full Suspension Seat
- High Overhead Guard (2290mm)
- Rear Work Light
- Dual Drive Pneumatic Tyres and Fender Extensions
- Superelastic Drive and Steer Tyres
- Dual Drive Superelastic Tyres and Fender Extensions
- Non-Marking Superelastic Drive and Steer Tyres
- Operator Presence System
- PVC Rain Cover
- Air Conditioning
- Swing Out LPG Bracket
- Battery Disconnect Device

COMPLIANCE WITH AS2359 (Australia Only)



These trucks conform to current legislative requirements. Specification is subject to change without notice. Trucks shown with optional equipment.

Publication part no. BR0000029. Printed in Australia © NACCO Materials Handling Group Pty Ltd 2014. All rights reserved

UTILEV is a registered trademark. THE UTILITY LIFT TRUCK and UTILITY YOU CAN TRUST are trademarks in the United States and certain other jurisdictions. NACCO Materials Handling Group Pty Ltd 1 Bulecourt Avenue Milperra NSW Sydney Australia 2214 Tel +61 (2) 9795 3800 Fax +61 (2) 9771 1255 www.asiapacific.utilev.com