

UT25-30C

5,000-6,000 lbs.

Technical Specifications

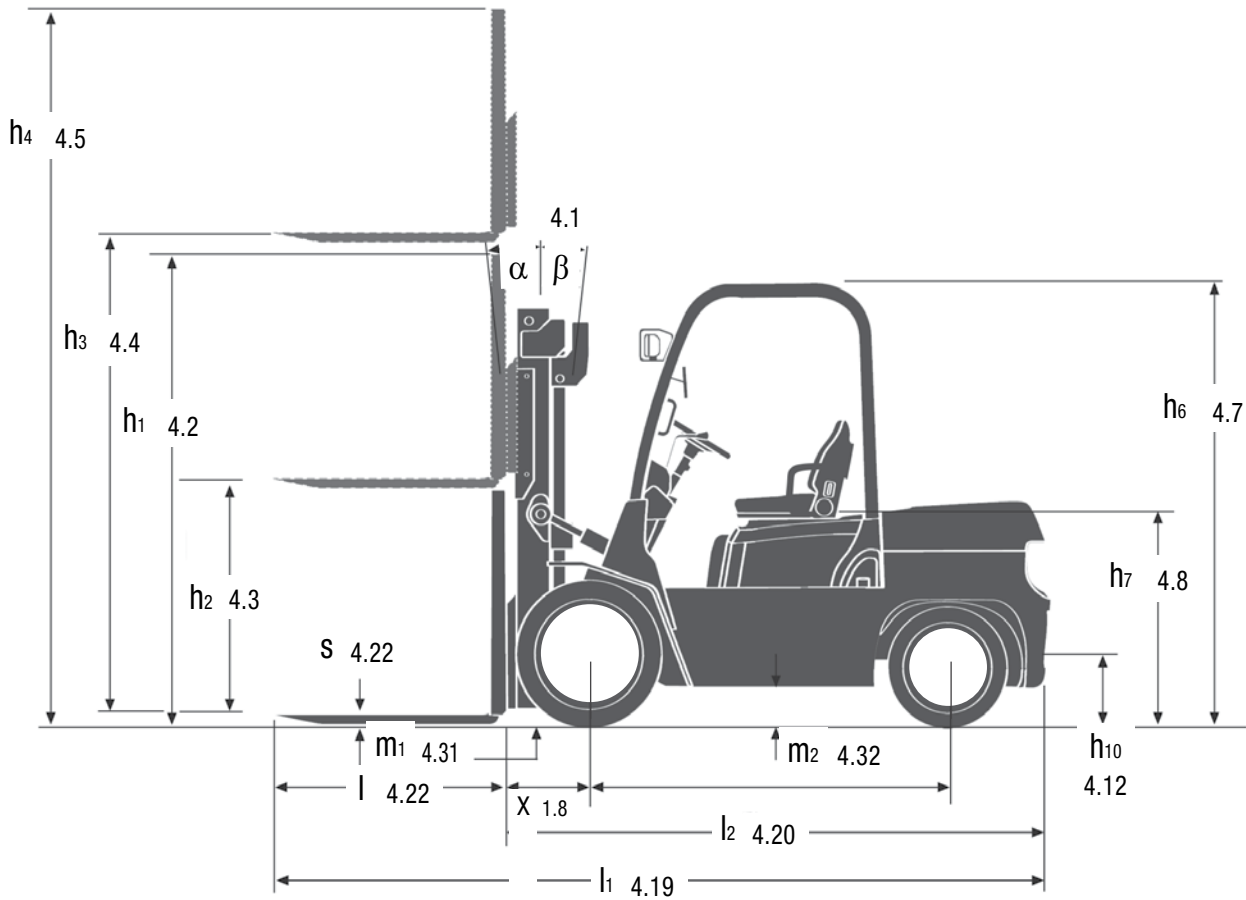
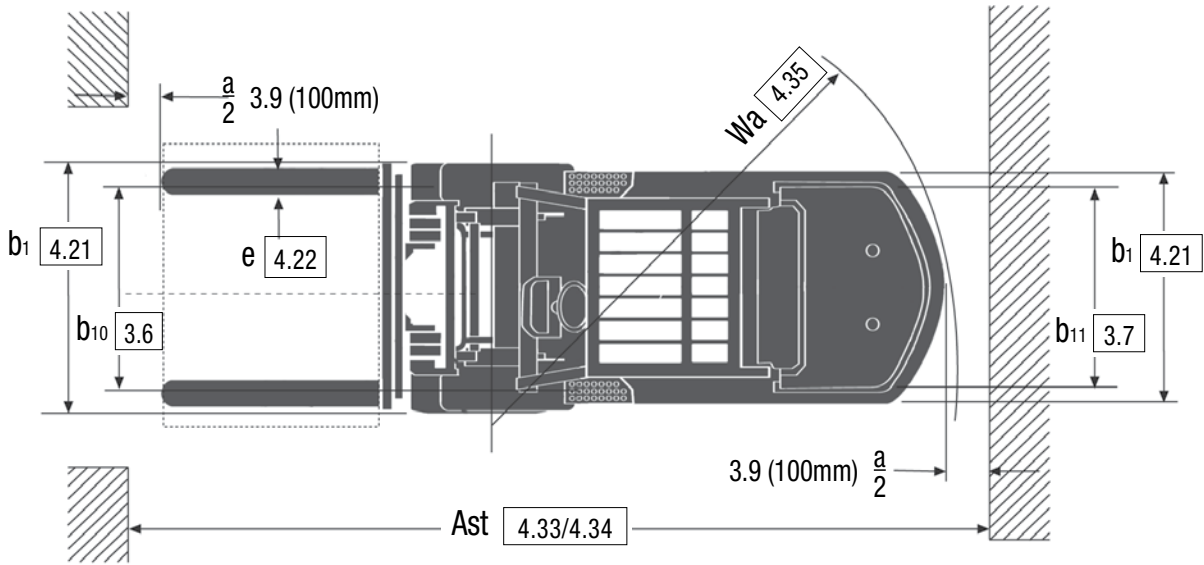


Utility you can trust™

www.utilev.com

Truck Dimensions

$A_{st} = W_a + x + l_6 + a$
 a = Minimum operating clearance of 7.8in (200mm)
 l_6 = Load length



UT25-30C Specifications

Characteristics	1.1	Manufacturer		UTILEV	UTILEV
	1.2	Model designation		UT25C	UT30C
	1.3	Power		LPG	LPG
	1.4	Operation: manual, pedestrian, stand, seat, orderpicker		Seat	Seat
	1.5	Base load capacity	lb (kg)	5000 (2268)	6000 (2722)
	1.6	Load center	in (mm)	24 (610)	24 (610)
	1.8	Load distance	in (mm)	17.3 (440)	17.5 (445)
	1.9	Wheelbase	in (mm)	55.1 (1400)	57.1 (1450)
	Weight	2.1	Unladen weight	lb (kg)	8411 (3815)
2.2		Axle loading with load front/rear	lb (kg)	12456 (5650)/1466 (665)	14110 (6400)/1786 (810)
2.3		Axle loading without load, front/rear	lb (kg)	3230 (1465)/5181 (2350)	3175 (1440)/6107 (2770)
Wheels and Tires	3.1	Tire Type		Cushion	Cushion
	3.2	Tire size-front		21 x 7 x 15	21 x 8 x 15
	3.3	Tire size-rear		16 x 6 x 10.5	16 x 6 x 10.5
	3.5	Number of wheels, front/rear (X = driven)		2X/2	2X/2
	3.6	Track width, front	in (mm)	35.4 (900)	36.2 (920)
	3.7	Track width, rear	in (mm)	35.4 (900)	35.4 (900)
	Dimensions	4.1	Mast tilt, forward (a)/back (b)	degrees	5 / 6
4.2		Height of mast, lowered	in (mm)	87 (2210)	89 (2260)
4.3		Free lift (top of fork)	in (mm)	60 (1530)	60 (1525)
4.4		Lift height (top of fork)	in (mm)	188 (4800)	188 (4800)
4.5		Height of mast, extended (WITH LBR)	in (mm)	231 (5850)	235 (5950)
4.7		Height to top of overhead guard OR cab	in (mm)	87 (2195)	87 (2195)
4.8		Seat height	in (mm)	40.4 (1025)	40.4 (1025)
4.12		Towing coupling height	in (mm)	11.2 (285)	11.2 (285)
4.19		Overall length	in (mm)	135.7 (3450)	138.0 (3505)
4.20		Length to face of forks	in (mm)	93.7 (2380)	96.7 (2455)
4.21		Overall width	in (mm)	42.4 (1078)	44.2 (1123)
4.22		Fork dimensions	s/e/l in (mm)	1.6 x 4.8 x 42 (40/122/1070)	1.8 x 5.1 x 42 (45/130/1070)
4.24		Fork carriage width (add 1.25" (32mm) for std. LBR)	in (mm)	42.5 (1080)	43.3 (1100)
4.31		Ground clearance under mast, with rated load	in (mm)	2.6 (66)	3.1 (80)
Performance		4.32	Ground clearance at center of wheelbase	in (mm)	4.5 (115)
	4.33b	Aisle width (add load length) with 7.9" (200mm) clearance	in (mm)	109.8 (2790)	111.6 (2835)
	4.35	Outer turning radius	in (mm)	84.6 (2150)	87.8 (2230)
	4.36	Inner turning radius	in (mm)	6.6 (168)	7.1 (180)
	5.1	Travel speed with/without rated load	MPH (km/h)	12.4 (20) / 13.0 (21)	11.2 (18) / 11.8 (19)
	5.2	Lifting speed with/without rated load	ft./min (m/sec)	118 (.60) / 122 (.62)	100 (.51) / 106 (.54)
	5.3	Lowering speed with/without rated load	ft./min (m/sec)	102 (.52) / 98 (.50)	102 (.52) / 98 (.50)
	5.5	Drawbar pull with/without load @ 1 mph	lb (kN)	3372 (15) / 2473 (11)	3822 (17) / 3237 (14.4)
	5.6	Maximum drawbar pull with/without load,	lb (kN)	4721 (21) / 2473 (11)	4721 (21) / 3237 (14.4)
	5.7	Gradeability with/without load, @ 1 mph	%	22 / 26	21 / 32
Engine	5.10	Service brake		Hydraulic	Hydraulic
	7.1	Engine manufacturer/type		PSI 2.4L	PSI 2.4L
	7.2	Engine output, in accordance with ISO1585	hp (kW)	63 (47.1)	63 (47.1)
		Torque	ft. lbs (N-m) @RPM	132 (179) @2000 rpm	132 (179) @2000 rpm
Other	7.3	Governed speed	RPM	2800	2800
	7.4	Number of cylinders/displacement	# / cc / CID	4 / 2351 / 143	4 / 2351 / 143
	8.1	Drive control		Automatic	Automatic
	8.2	Working pressure for attachments	PSI (bar)	2550 (175)	2550 (175)
	8.3	Maximum oil flow for attachments	Gal/min (l/min)	13.2 (50)	13.2 (50)
	8.5	Towing coupling type		Pin	Pin
		Hydraulic Tank - capacity (drain & refill)	gal (l)	13.2 (50)	13.2 (50)
		Fuel Tank - Capacity (Gasoline-Powered Units Only)	gal (l)	N/A	N/A
		Step Height (from ground to running board)	in (mm)	16.7 (425)	16.7 (425)
	Step Height (between intermediate steps between running board and floor)	in (mm)	8.3 (210)	8.3 (210)	

Specification data is based on VDI 2198, with the following configuration: Complete truck with 188" (4800mm) 3 stage full free lift mast, standard carriage and 42" (1070mm) forks, overhead guard and standard pneumatic drive and steer tires.

UT25-30C Mast Table

Model	Mast Type	Maximum Fork Height in (mm)	Lowered Height in (mm)	Overall Extended Height		Free Lift		Mast Tilt
				Without LBR	With LBR	Without LBR	With LBR	Forward/Back
				in (mm)	in (mm)	in (mm)	in (mm)	(deg)
UT25C	2 Stage LFL	82 (2100)	61 (1550)	105 (2645)	125 (1350)	5 (130)	5 (130)	5/8
UT25C	3 Stage FFL	188 (4800)	87 (2210)	215 (5440)	231 (5850)	60 (1530)	46 (1170)	5/6
UT30C	3 Stage FFL	188 (4800)	89 (2260)	215 (5440)	235 (5950)	60 (1525)	42 (1070)	5/6

UT25-30C Capacity Table

Capacity with a 24" (610mm) load center in pounds (kg)

Model	Mast Type	Maximum Fork Height in (mm)	Standard Compound Lug Tread		Non-Marking Compound-Smooth Tread	
			Standard Carriage	Integral Sideshift	Standard Carriage	Integral Sideshift
UT25C	2 Stage LFL	82 (2100)	5000 (2267)	4800 (2167)	5000 (2267)	4800 (2167)
UT25C	3 Stage FFL	188 (4800)	4500 (2041)	4300 (1941)	4500 (2041)	4300 (1941)
UT30C	3 Stage FFL	188 (4800)	5500 (2495)	5300 (2404)	5500 (2495)	5300 (2404)

Overview

Utility you can trust.

The UTILEV® range of affordable forklift trucks delivers reliable and cost-effective materials handling solutions for applications across many industries, particularly where users require equipment without advanced functionality or attachments.

The product range has been designed to be easy to operate and maintain, and is backed up by a standard limited warranty and comprehensive parts availability. (Subject to UTILEV warranty terms)

Furthermore, a network of experienced distributors is on-hand to provide maintenance and support, whenever it is required.

Simple to Use

The ergonomically designed operator compartment, with a familiar automotive layout means that

drivers will be able to work comfortably, to aid in preventing tiredness during handling operations.

A range of standard features and options help to ensure that the truck is configured to the needs of the application.

Easy to Maintain

Thanks to the simplicity of the components and specification, servicing can be carried out quickly and easily.

Affordable to Own

The use of high quality, robust components, efficient filtration and excellent cooling helps contribute to reliable operation and lower wear and tear. This — together with the fast availability of cost-effective replacement parts — helps to reduce service and maintenance requirements and costs.

Standard Features

Engine: PSI 2.4L LPG	Dash Display: Engine Temperature, and LCD Hour Meter. Indicator lights for Low Battery Voltage, Low Oil Pressure and High Engine Temperature.
Transmission: Powershift, 1-Speed	Entry Grab Handle
Mast: 3 stage FFL 188" (4800mm)	Rear View Mirrors
Carriage: UT25C - 42.5" (1080mm) Class II	Load Backrest
UT30C - 43.3" (1100mm) Class III	Mast Tilt - 5° Forward / 6° Back
Forks: UT25C - 1.6 x 4.8 x 42" (40 x 122 x 1070mm) Class II	Light Kit - 2 x Front Work, 2 x Front Turn, Rear Turn Tail/Brake/Reverse
UT30C - 1.8 x 5.1 x 42" (45 x 130 x 1070) Class III	
Cushion Tires Drive: UT25C - 21 x 7 x 15; UT30C - 21 x 8 x 15	Counterweight Exhaust
Cushion Tires Steer: 16 x 6 x 10.5	Radiator with Integral Transmission Oil Cooler
Three Function Cowl Mounted Manual Levers	Cyclonic Air Filter
Forward / Reverse Directional Lever	Metal LPG Tank Bracket
Manual Park Brake	Towing Pin
Three Pedal Layout with Mechanical Inching	Operator Manual
Non-suspension Seat (Vinyl) with Seat Belt	12 Months / 2000 Hours Manufacturer's Warranty
Steering Wheel with Spinning Knob	
Power Steering and Tilt Adjustable Steering Column	
Key Switch Start	

Options

Forks: 48" (1220mm)
Integral Sideshift with hose group
Standard Compound Lug Tread Tires
Strobe Light (magnetically mounted)
Non-Marking Compound Smooth Tread Tires
Rear Work Light
Audible Reverse Alarm
Special Paint: Pantone 17-1463 Orange

UTILEV®
THE UTILITY
LIFT TRUCK™

These trucks conform to current legislative requirements.

Specification is subject to change without notice.

Trucks shown with optional equipment.

Publication part no. U00003-C 8/2015

© 2015. All rights reserved.

UTILEV is a Registered Trademark.

THE UTILITY LIFT TRUCK and UTILITY YOU CAN TRUST are trademarks in the United States and certain other jurisdictions.

For more information, contact us by email: inquiries@utilev.com